

Fine Finish Hand-Held Paint Sprayer

3A1698F
EN

- For portable spray applications of architectural paints and coatings only -
- Not approved for use in explosive atmosphere locations -
- Service only at Graco approved service centers -
- For professional use only -



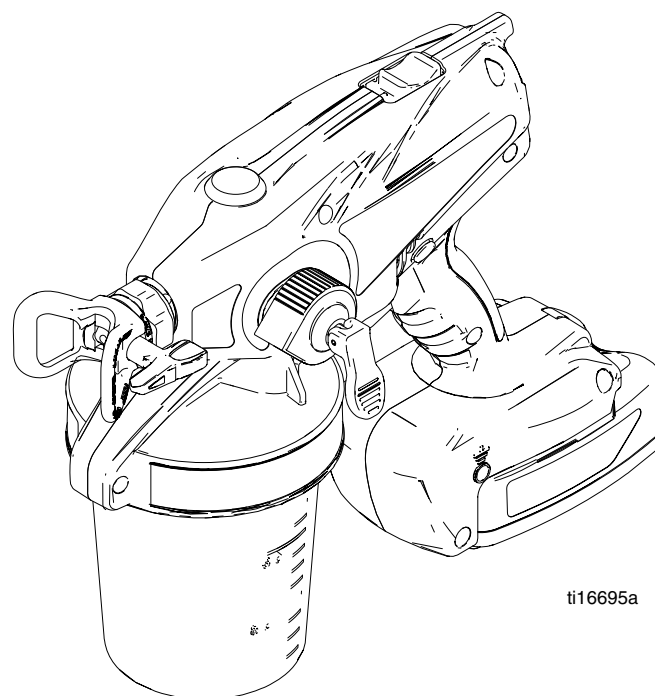
IMPORTANT SAFETY INSTRUCTIONS

Read all warnings and instructions in this manual. Save these instructions.

All Models:

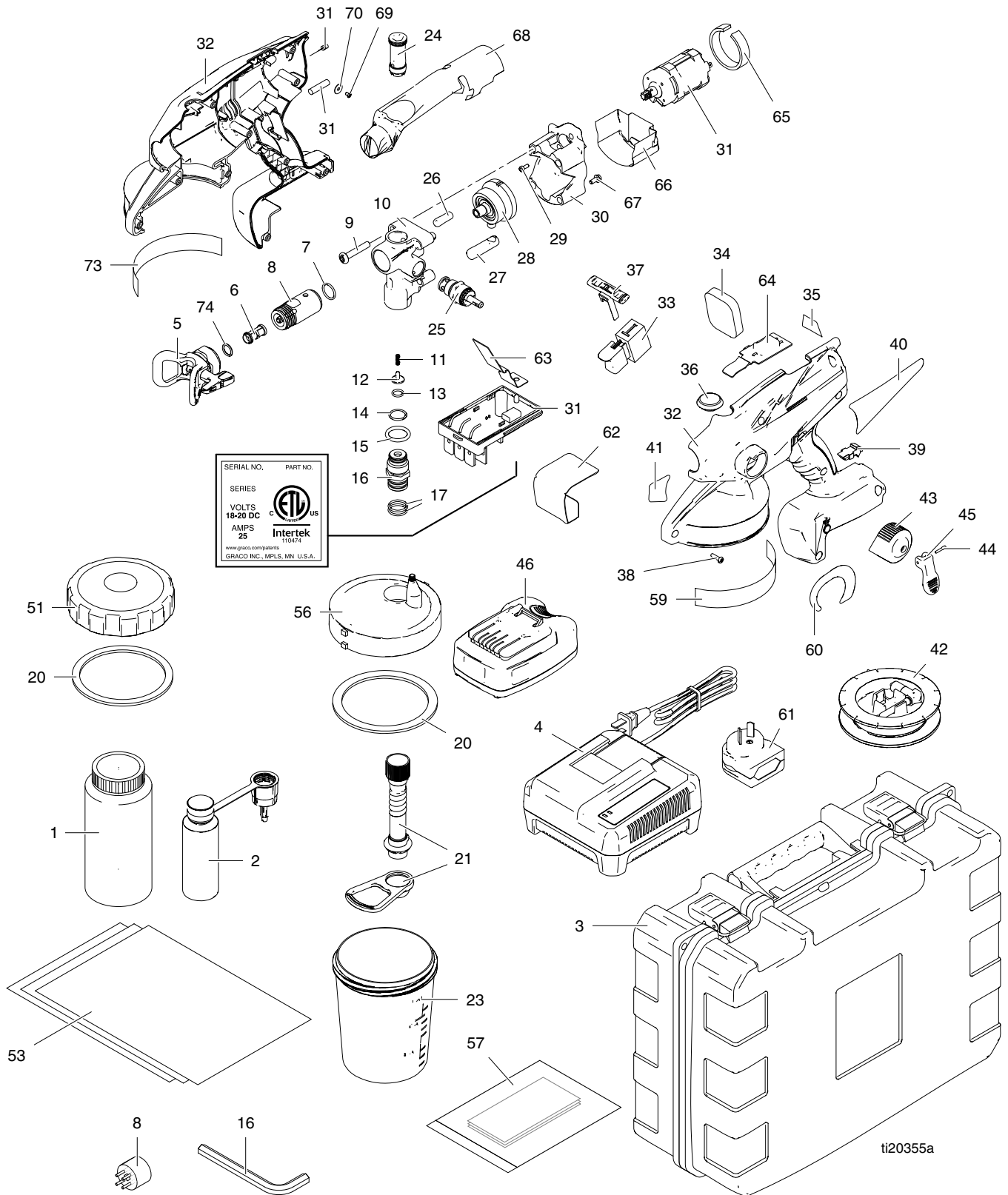
Maximum Working Pressure 1700 psi (117 bar, 11.7 MPa)

Model	ETL Intertek	CE	✓
16F887	✓		
16H240	✓		
16H241		✓	✓
16H242		✓	✓
16H243		✓	
262612		✓	
16H245		✓	
16H829		✓	



ti16695a

Replacement Parts and Kits



Parts List

Ref.	If you have this model sprayer (model number is the same as the part number, which is below the handle)	Order Part Number:	Description
	Models 16F887, 16H829	24J421	Bare Sprayer (no tip, battery, suction tube, or material cup)
	Model 16H240	24J435	Bare Sprayer (no tip, battery, suction tube, or material cup)
	Models 16H243, 262612	24J555	Bare Sprayer (no tip, battery, suction tube, or material cup)
	Models 16H241, 16H242	24J581	Bare Sprayer (no tip, battery, suction tube, or material cup)
1	All Models	243103	Pump Armor (32oz)
2	Non-Euro Models 16F887, 16H240, 16H242	16M816	Startup/Storage Kit
	Euro Models 16H241, 16H829, 16H243, 262612, 16H245	16P358	Startup/Storage Kit
3	All Models	24J422	Storage Case
4	100-120V Models 16F887, 16H240, 16H242	16D559	Lithium Ion Battery Charger
	230V Models 16H241, 16H829, 16H243, 262612, 16H245	16G615	Lithium Ion Battery Charger
5	All Models	FNS208	208 Fine Finish Spray Tips/Guard Assembly
	All Models	FNS308	308 Fine Finish Spray Tips/Guard Assembly
	All Models	FNS210	210 Fine Finish Spray Tips/Guard Assembly
	All Models	FNS310	310 Fine Finish Spray Tips/Guard Assembly
	All Models	FNS410	410 Fine Finish Spray Tips/Guard Assembly
	All Models	FNS312	312 Fine Finish Spray Tips/Guard Assembly
	All Models	FNS412	412 Fine Finish Spray Tips/Guard Assembly
6	All Models	24E376	Tip Filter Kit, 1-pack, 60 mesh
	All Models	24F039	Tip Filter Kit, 3-pack, 60 mesh
	All Models	24F640	Tip Filter Kit, 1-pack, 100 mesh
	All Models	24F641	Tip Filter Kit, 1-pack, 60 mesh
7	All Models	16H933	Packing, O-Ring (included in 8)
8	All Models	24J433	Kit, repair, needle assembly (includes 7 and wrench)
9	All Models	115478	Screw (included in 30)
10	All Models	16U235	Complete Pump Assembly (includes 11-17, 24-28, 44, 62, 63, 65, 66, 68-70)
	All Models	16U237	Pump Housing only (includes 26, 27, 44, 62, 63, 65, 66, 68-70)
11	All Models	24J424	Inlet Valve Repair Kit (includes 11, 12, 13) (included in 16)
12	All Models	24J424	Inlet Valve Repair Kit (includes 11, 12, 13) (included in 16)
13	All Models	24J424	Inlet Valve Repair Kit (includes 11, 12, 13) (included in 16)
14	All Models	124582	O-Ring (included in 16)
15	All Models	119790	O-Ring (included in 16)
16	All Models	16H641	Pump Valve Repair Kit (includes 11-17, 24 and wrench)
17	All Models	16H934	O-Ring (included in 16, 21)
20	All Models	16J731	Seal, Reservoir (included in 23, 51)
21	All Models	24J423	Tube, suction with strainer inlet (includes 17)
23	All Models	16H618	Material Cup with cover and seal (includes 51)
24	All Models	16H641	Pump Valve Repair Kit (includes 11-17, 24 and wrench)
25	All Models	16H119	Kit, repair, prime / pressure relief valve (includes 43-45)
26	All Models	16U235	Complete Pump Assembly (includes 11-17, 24-28, 44, 62, 63, 65, 66, 68-70)
	All Models	16U237	Pump Housing only (includes 26, 27, 44, 62, 63, 65, 66, 68-70)
27	All Models	16U235	Complete Pump Assembly (includes 11-17, 24-28, 44, 62, 63, 65, 66, 68-70)
	All Models	16U237	Pump Housing only (includes 26, 27, 44, 62, 63, 65, 66, 68-70)
28	All Models	16U236	Kit, reciprocator (includes 38 (qty 10), 44, 62, 63, 65, 66, 68-70)
29	All Models	16G740	Screw (included in 30)
30	All Models	16U239	Kit, repair, drive housing (includes 9, 29, 38 (qty 10), 44, 62, 63, 65-70)
31	All Models	16U234	Kit, repair, motor, control board (includes 29, 34, 38 (qty 10) 44, 62, 63, 65-70)

Table continues on the following page.

Replacement Parts and Kits

Ref.	If you have this model sprayer (model number is the same as the part number, which is below the handle)	Order Part Number:	Description
32	Models 16F887, 16H241, 16H242, 16H829	16U240	Enclosure replacement kit (includes 20, 34-37, 38 (qty 10), 39, 44, 56, 62-66, 68-70)
	Model 16H240	16U241	Enclosure replacement kit (includes 20, 34-37, 38 (qty 10), 39, 44, 56, 62-66, 68-70)
	Models 16H243, 16H245, 262612	16U242	Enclosure replacement kit (includes 20, 34-37, 38 (qty 10), 39, 44, 56, 62-66, 68-70)
33	All Models	16U238	Kit, repair, switch (included in 31)
34	Models 16F887, 16H241, 16H242, 16H829	16U240	Enclosure replacement kit (includes 20, 34-37, 38 (qty 10), 39, 44, 56, 62-66, 68-70)
	Model 16H240	16U241	Enclosure replacement kit (includes 20, 34-37, 38 (qty 10), 39, 44, 56, 62-66, 68-70)
	Models 16H243, 16H245, 262612	16U242	Enclosure replacement kit (includes 20, 34-37, 38 (qty 10), 39, 44, 56, 62-66, 68-70)
35	Models 16F887, 16H241, 16H242, 16H829, 16H240	16E859	Label, Made in USA
	Models 16H243, 16H245, 262612	16F636	Label, Made in USA
36	All Models	16C936	Plug, Service Hole
37	Models 16F887, 16H241, 16H242, 16H829	16U240	Enclosure replacement kit (includes 20, 34-37, 38 (qty 10), 39, 44, 56, 62-66, 68-70)
	Model 16H240	16U241	Enclosure replacement kit (includes 20, 34-37, 38 (qty 10), 39, 44, 56, 62-66, 68-70)
	Models 16H243, 16H245, 262612	16U242	Enclosure replacement kit (includes 20, 34-37, 38 (qty 10), 39, 44, 56, 62-66, 68-70)
38	All Models	119236	Screw
39	Models 16F887, 16H241, 16H242, 16H829	16U240	Enclosure replacement kit (includes 20, 34-37, 38 (qty 10), 39, 44, 56, 62-66, 68-70)
	Model 16H240	16U241	Enclosure replacement kit (includes 20, 34-37, 38 (qty 10), 39, 44, 56, 62-66, 68-70)
	Models 16H243, 16H245, 262612	16U242	Enclosure replacement kit (includes 20, 34-37, 38 (qty 10), 39, 44, 56, 62-66, 68-70)
40	Models 16F887, 16H829	16G644	Label, brand
	Model 16H240	16G645	Label, brand
	Model 16H241, 16H242	16H831	Label, brand
	Model 16H243, 262612	16H816	Label, brand
41	All Models	16G643	Label
42	All Models	16H256	Reel, Ground
43	All Models	16H119	Kit, repair, prime / pressure relief valve (includes 43-45)
44	All Models	16H842	Pin
45	All Models	16H119	Kit, repair, prime / pressure relief valve (includes 43-45)
46	All Models	16G610	Battery
51	All Models	24D425	Kit, lid
53	All Models	16D562	Cup Liner Replacement (10 pack)
56	Models 16F887, 16H241, 16H242, 16H829	16U240	Enclosure replacement kit (includes 20, 34-37, 38 (qty 10), 39, 44, 56, 62-66, 68-70)
	Model 16H240	16U241	Enclosure replacement kit (includes 20, 34-37, 38 (qty 10), 39, 44, 56, 62-66, 68-70)
	Models 16H243, 16H245, 262612	16U242	Enclosure replacement kit (includes 20, 34-37, 38 (qty 10), 39, 44, 56, 62-66, 68-70)
57▲	Models 16F887, 16H240	*24J425	Warning Labels Kit ENG/FRE/SPA
	Models 16H829	*24J518	Warning Labels Kit SPA/POR/ITA Model 16H829
	Models 16H241, 16H242	*24J554	Warning Labels Kit ASIA/ANZ Models 16H241, 16H242
			<i>* Contains all warning labels for the models listed</i>
	Models 16H243, 262612	24J521	Multi-Language Warning Labels Kit, Body
	Models 16H243, 262612	24J519	Multi-Language Warning Labels Kit, Ground Spool
	Models 16H243, 262612	24J520	Multi-Language Warning Labels Kit, Charger
Models 16H243, 262612	24J522	Multi-Language Warning Labels Kit, Battery	
59▲	All Models		Warning Label (included in 24J425)
60	All Models	16G646	Control Label

Ref.	If you have this model sprayer (model number is the same as the part number, which is below the handle)	Order Part Number:	Description
61	Model 16H241 only	124783	Plug Adapter
62-70	Models 16F887, 16H241, 16H242, 16H829	16U240	Enclosure replacement kit (includes 20, 34-37, 38 (qty 10), 39, 44, 56, 62-66, 68-70)
	Model 16H240	16U241	Enclosure replacement kit (includes 20, 34-37, 38 (qty 10), 39, 44, 56, 62-66, 68-70)
	Models 16H243, 16H245, 262612	16U242	Enclosure replacement kit (includes 20, 34-37, 38 (qty 10), 39, 44, 56, 62-66, 68-70)
73▲	All Models		Warning Label (included in 24J425)
74	All Models	16H137	O-Ring (included in 5)
▲ Replacement Danger and Warning Labels, Tags and Cards are available at no cost.			